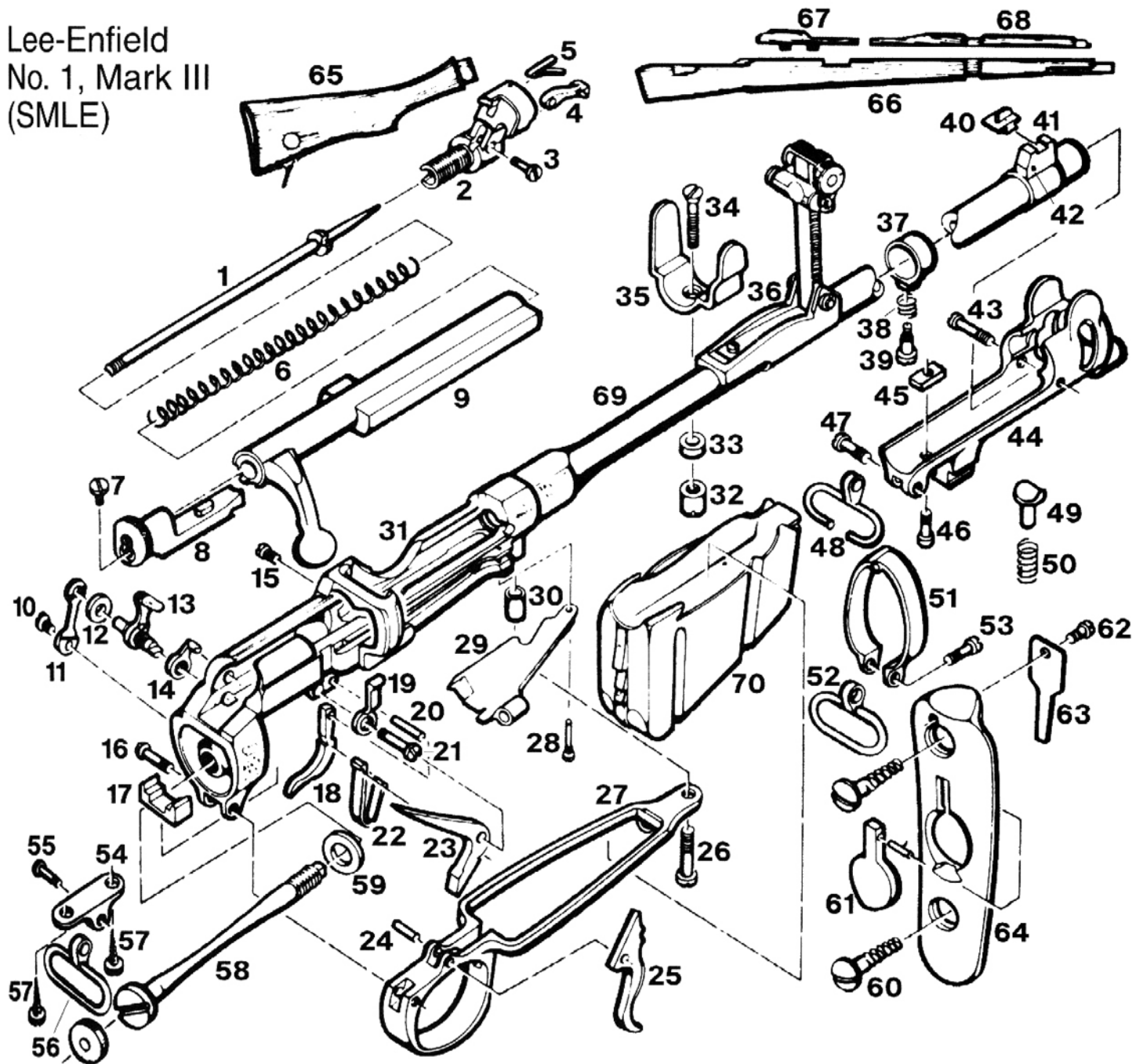


Lee-Enfield  
No. 1, Mark III  
(SMLE)



**Parts Legend**

- |                               |                                  |                          |
|-------------------------------|----------------------------------|--------------------------|
| 1 Firing Pin                  | 23 Sear                          | 47 Stacking Swivel Screw |
| 2 Bolt Head, Stripped         | 24 Trigger Pin                   | 48 Stacking Swivel       |
| 3 Extractor Screw             | 25 Trigger                       | 49 Forend Stud           |
| 4 Extractor                   | 26 Front Guard Screw             | 50 Forend Stud Spring    |
| 5 Extractor Spring            | 27 Trigger Guard                 | 51 Swivel Band           |
| 6 Firing Pin Spring           | 28 Cut-Off Screw                 | 52 Front Swivel          |
| 7 Firing Pin Screw            | 29 Cut-Off                       | 53 Swivel Screw          |
| 8 Cocking Piece               | 30 Guard Screw Bushing           | 54 Butt Swivel Base      |
| 9 Bolt Body                   | 31 Receiver                      | 55 Swivel Base Screw     |
| 10 Safety Spring Screw        | 32 Protector Nut                 | 56 Buttstock Swivel      |
| 11 Safety Spring              | 33 Forend Collar                 | 57 Butt Swivel Screws    |
| 12 Safety Catch Washer        | 34 Rear Sight Protector Screw    | 58 Stock Bolt            |
| 13 Locking Bolt               | 35 Rear Sight Protector          | 59 Stock Bolt Washer     |
| 14 Safety Catch               | 36 Rear Sight Assembly with Base | 60 Buttplate Screw       |
| 15 Ejector                    | 37 Inner Band                    | 61 Trapdoor Buttplate    |
| 16 Rear Trigger Guard Screw   | 38 Inner Band Spring             | 62 Trapdoor Spring Screw |
| 17 Stock Bolt Plate           | 39 Inner Band Screw              | 63 Trapdoor Spring       |
| 18 Magazine Catch             | 40 Front Sight Blade             | 64 Buttplate             |
| 19 Bolt Head Retaining Spring | 41 Front Sight Base              | 65 Buttstock             |
| 20 Magazine Catch Pin         | 42 Front Sight Pin               | 66 Forestock             |
| 21 Retaining Spring Screw     | 43 Front Nosecap Screw           | 67 Rear Hand Guard       |
| 22 Sear Spring                | 44 Nosecap                       | 68 Front Hand Guard      |
|                               | 45 Nosecap Nut                   | 69 Barrel                |
|                               | 46 Rear Nosecap Screw            | 70 Magazine              |